



# BENCH GRINDER FLOOR STAND

MODEL NO: **BGST**

Thank you for purchasing a Sealey product. Manufactured to a high standard, this product will, if used according to these instructions, and properly maintained, give you years of trouble free performance.



**IMPORTANT:** PLEASE READ THESE INSTRUCTIONS CAREFULLY. NOTE THE SAFE OPERATIONAL REQUIREMENTS, WARNINGS & CAUTIONS. USE THE PRODUCT CORRECTLY AND WITH CARE FOR THE PURPOSE FOR WHICH IT IS INTENDED. FAILURE TO DO SO MAY CAUSE DAMAGE AND/OR PERSONAL INJURY AND WILL INVALIDATE THE WARRANTY. KEEP THESE INSTRUCTIONS SAFE FOR FUTURE USE.

## 1. INTRODUCTION

Bench grinder stand with adjustable feet. Suits a wide variety of bench grinders with central mounting holes. Suitable for the following Sealey machines: Model No's BG150CX, BG150XD/99, BG150XL/96, BG150XLW/98, BG150XW/99, BG150XWL, BG150WL, BG200WL, BG200XL, BG200/99. Also suitable for other leading brands of bench grinder\*.

## 2. SPECIFICATION

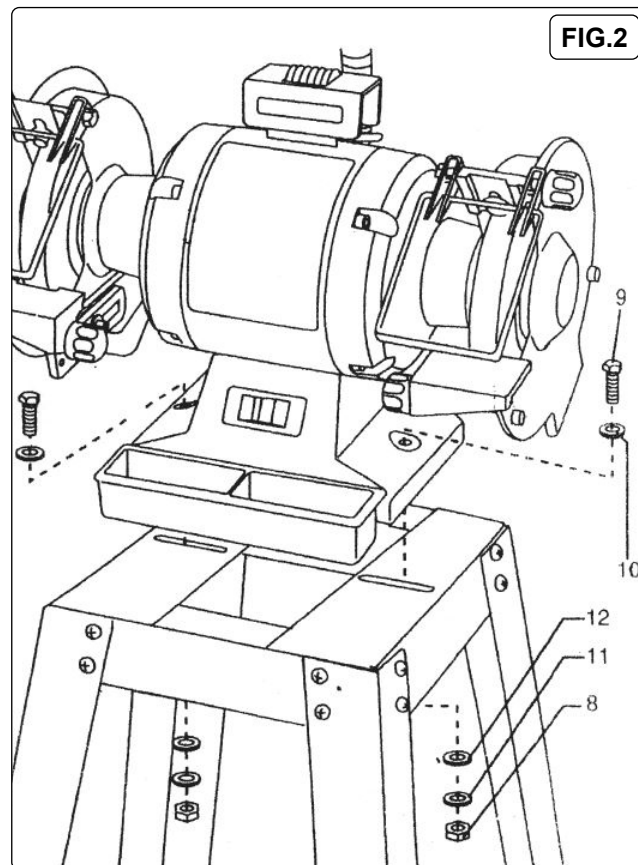
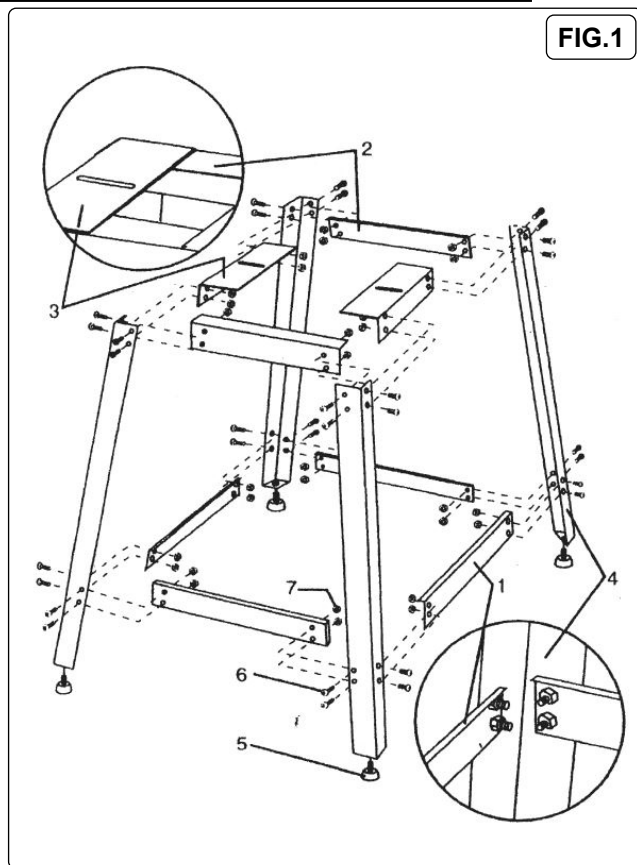
Model No:..... **BGST**  
Bench Grinder Base (W x D): .....270 x 220mm  
Overall Size (W x D x H): .....465 x 465 x 900mm

## 3. CONTENTS

PART NO.	DESCRIPTION	QTY
1	Leg Braces - Short	4
2	Top Brackets - Short Narrow	2
3	Top Brackets - Short Wide	2
4	Legs - Long	4
5	Foot Pads	4
6	Bolt	32

PART NO.	DESCRIPTION	QTY
7	Nuts	32
8	Nuts	2
9	Bolt	2
10	Washer	2
11	Washer	2
12	Washer	2

## 4. ASSEMBLY



Before you begin, separate all parts and group by size and style. If any parts are missing, contact your Sealey stockist immediately.

**NOTE:** finger tighten nuts and bolts when assembling. Once assembled, use an adjustable wrench to ensure all fixings are secure.

❑ **WARNING!** This stand must be installed on solid level ground and in combination with compatible bench grinders.

#### 4.1. ASSEMBLING THE STAND (FIG.1)

- 4.1.1. Use bolts (6) and nuts (7) to assemble the leg set parts.
- 4.1.2. Attach a leg (4) to the slotted short top bracket (3). Attach the next leg to the opposite end of the top bracket. Finger tighten.
- 4.1.3. Repeat this assembly for the opposite side of the leg set.
- 4.1.4. Attach the completed leg assemblies to the narrow top brackets (2). Finger tighten. Repeat on the opposite side.
- 4.1.5. Insert bolt of the foot pad (5) into the leg flange hole at the bottom of the leg, and tighten.
- 4.1.6. Attach bottom leg braces (1) between each leg. Finger tighten.
- 4.1.7. Place the leg set on a level surface, adjust and tighten all nuts and bolts.

#### 4.2. SECURING A GRINDER (FIG.2)

- **WARNING!** To avoid injury, turn the grinder switch OFF and unplug from the power source before mounting onto the stand.
- 4.2.1. Position the grinder on the stand.
- 4.2.2. Match the slots of the leg set top to the holes on the bottom flange of the grinder base.
- 4.2.3. Secure the leg set to the grinder base using bolts (9), washers (10,11,12) , and nuts (8).
- 4.2.4. When all bolts and nuts are tightened, carefully set the grinder on a clean level surface.



#### ENVIRONMENT PROTECTION

Recycle unwanted materials instead of disposing of them as waste. All tools, accessories and packaging should be sorted, taken to a recycling centre and disposed of in a manner which is compatible with the environment. When the product becomes completely unserviceable and requires disposal, drain any fluids (if applicable) into approved containers and dispose of the product and fluids according to local regulations.



REGISTER YOUR  
PURCHASE HERE

**Note:** It is our policy to continually improve products and as such we reserve the right to alter data, specifications and component parts without prior notice.

**Important:** No Liability is accepted for incorrect use of this product.

**Warranty:** Guarantee is 12 months from purchase date, proof of which is required for any claim.

Sealey Group, Kempson Way, Suffolk Business Park, Bury St Edmunds, Suffolk. IP32 7AR



01284 757500



sales@sealey.co.uk



www.sealey.co.uk